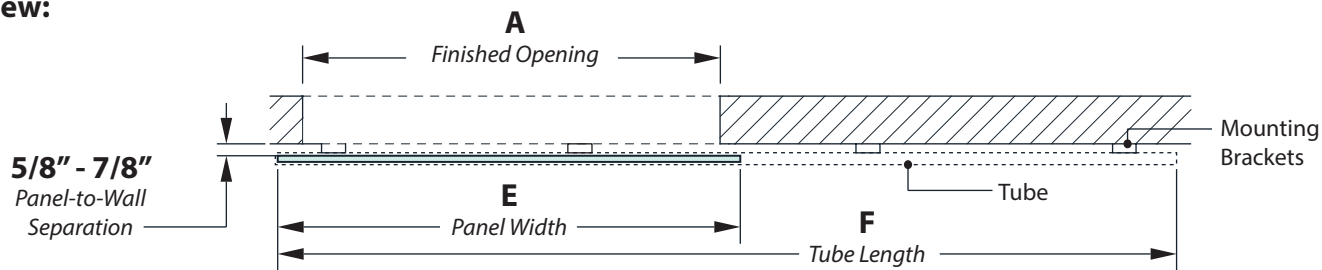
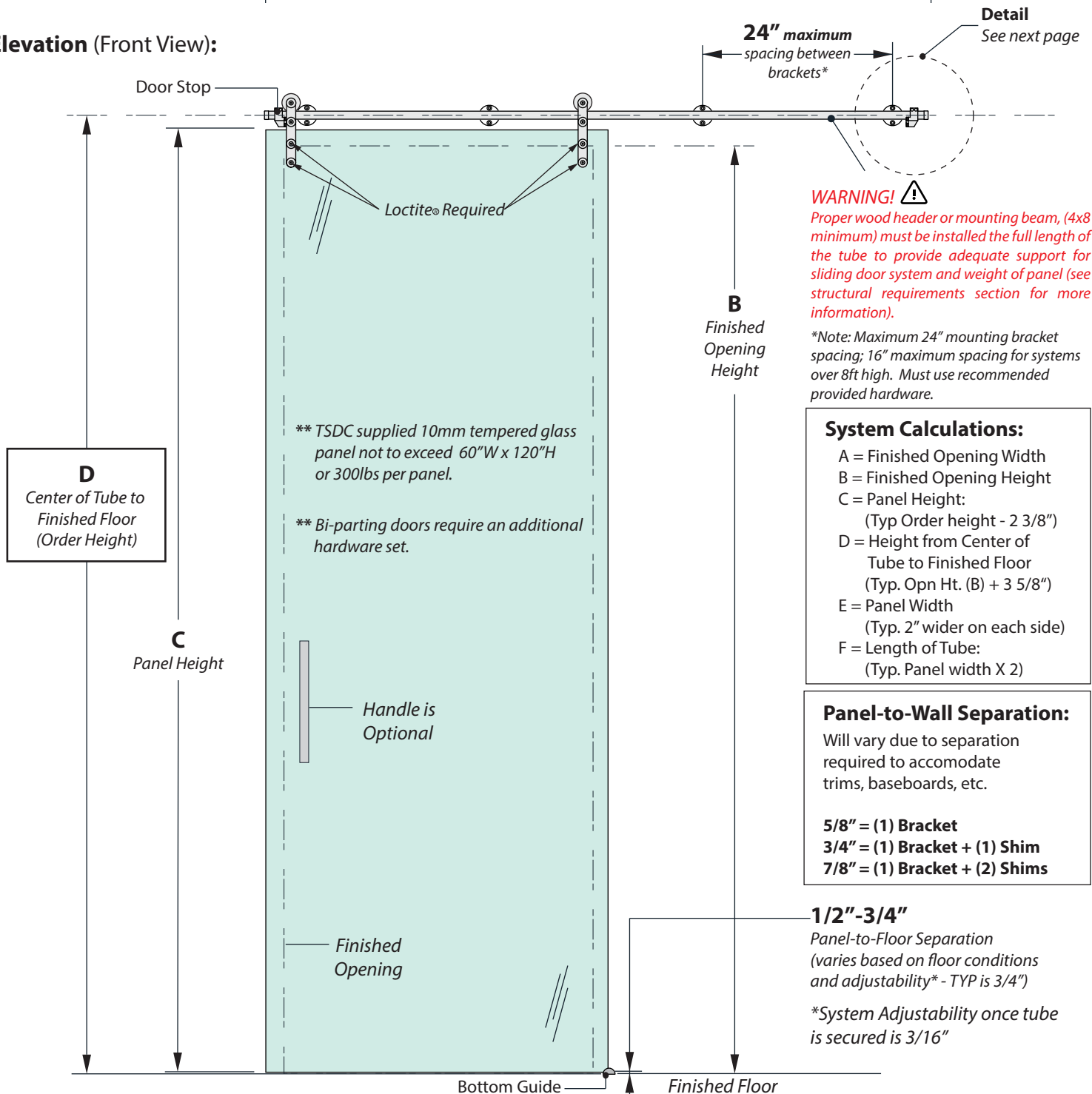


Plan View:

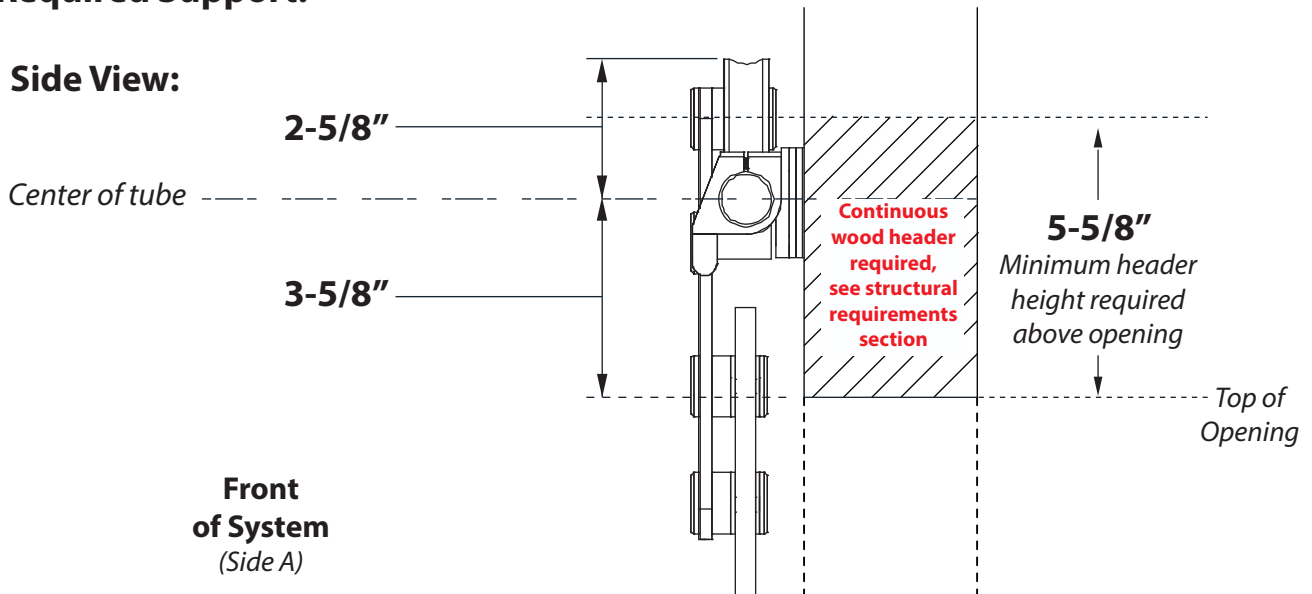


Elevation (Front View):



Required Support:

Side View:



Isometric View:

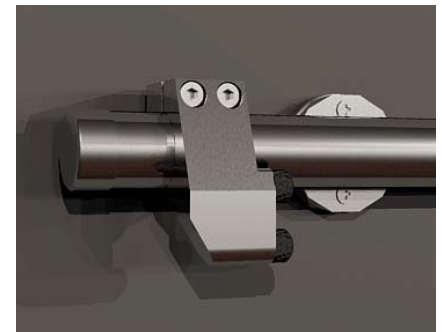


When mounting a barn door, there must be structure in the walls to support a minimum of 300 lbs throughout the entire track length. A continuous structural wood header (4x8 minimum) is required (*see structural requirements section for more information*).



Frameless Glass Upper Wheel Assembly:

Secures to frameless glass panel. Wheel assembly is NOT pre-installed on panel.



Door Stop + Wall Brackets:

Door Stop: Used to stop the door at the ends of the track (tube). It secures to the track (tube) using the screws provided.

Wall Brackets: Used to secure the track to the wall/surface. The brackets must be secured to a continuous structural wood stud (4x8 minimum) within the wall spanning the full length of the tube. (Metal studs require additional bracing.)

Detail:

