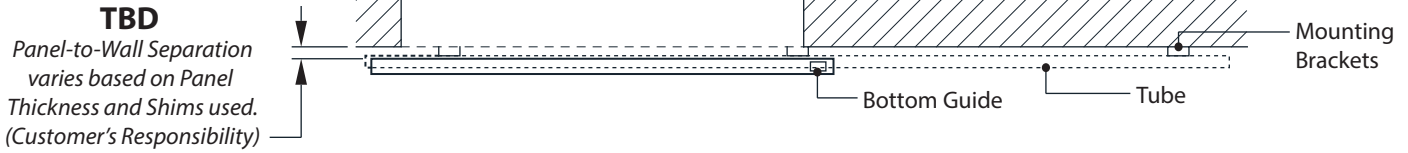
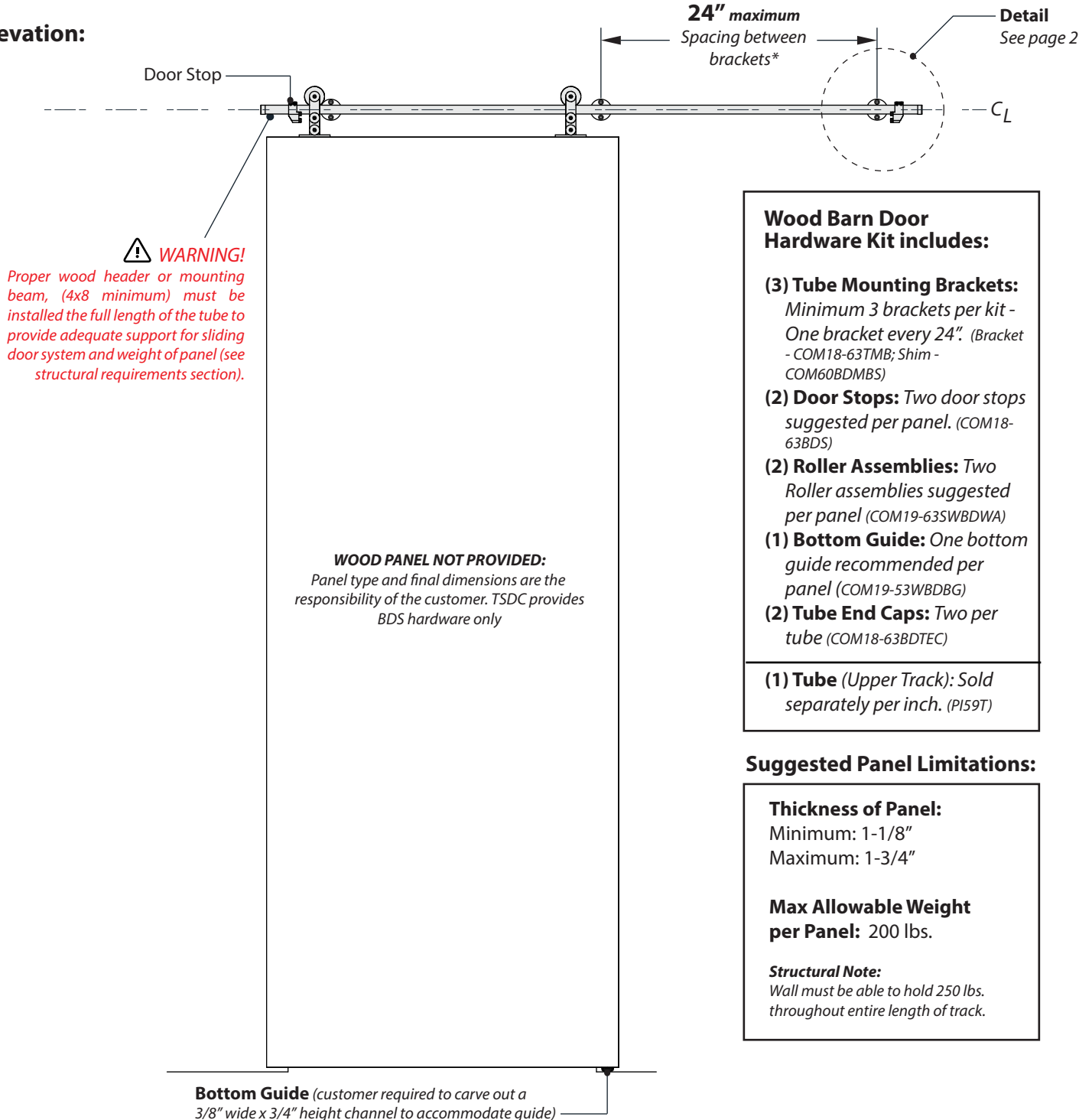


Plan:



Elevation:



Wood Barn Door Hardware Kit includes:

- (3) Tube Mounting Brackets:**
Minimum 3 brackets per kit - One bracket every 24". (Bracket - COM18-63TMB; Shim - COM60BDMBS)
- (2) Door Stops:** Two door stops suggested per panel. (COM18-63BDS)
- (2) Roller Assemblies:** Two Roller assemblies suggested per panel (COM19-63SWBDWA)
- (1) Bottom Guide:** One bottom guide recommended per panel (COM19-53WBDBG)
- (2) Tube End Caps:** Two per tube (COM18-63BDTEC)

(1) Tube (Upper Track): Sold separately per inch. (PI59T)

Suggested Panel Limitations:

Thickness of Panel:

Minimum: 1-1/8"
Maximum: 1-3/4"

Max Allowable Weight per Panel: 200 lbs.

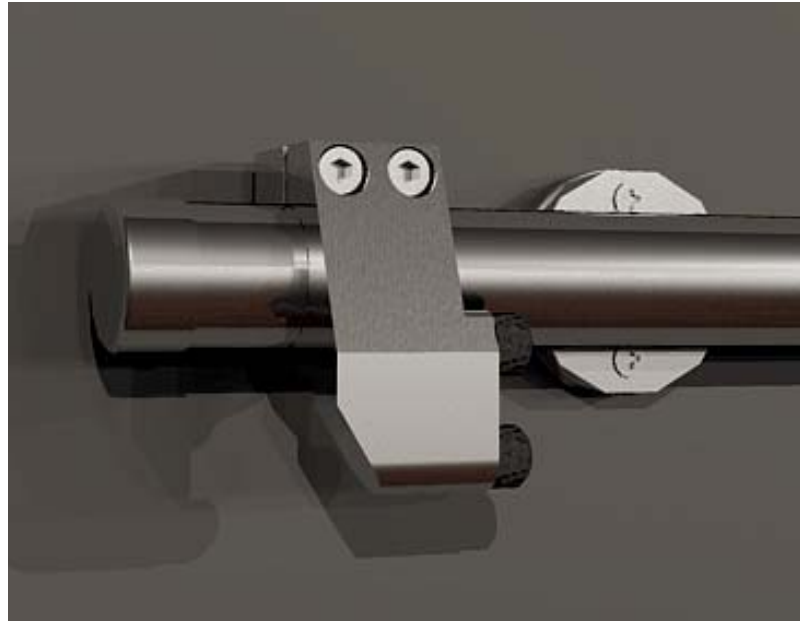
Structural Note:

Wall must be able to hold 250 lbs. throughout entire length of track.



Wheel Assembly:

Secures to wood panel, using screws (provided.)



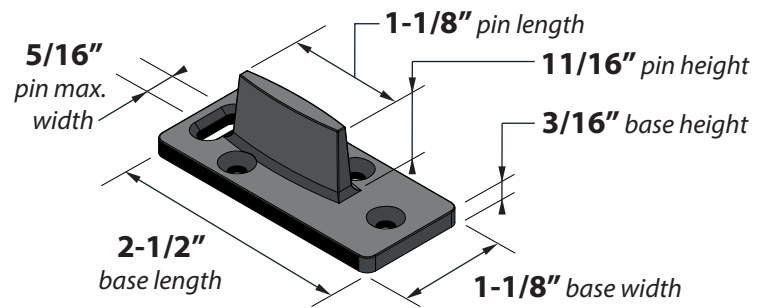
Door Stop + Wall Brackets:

Door Stop: Stops the door at the desired locations of the tube (track).

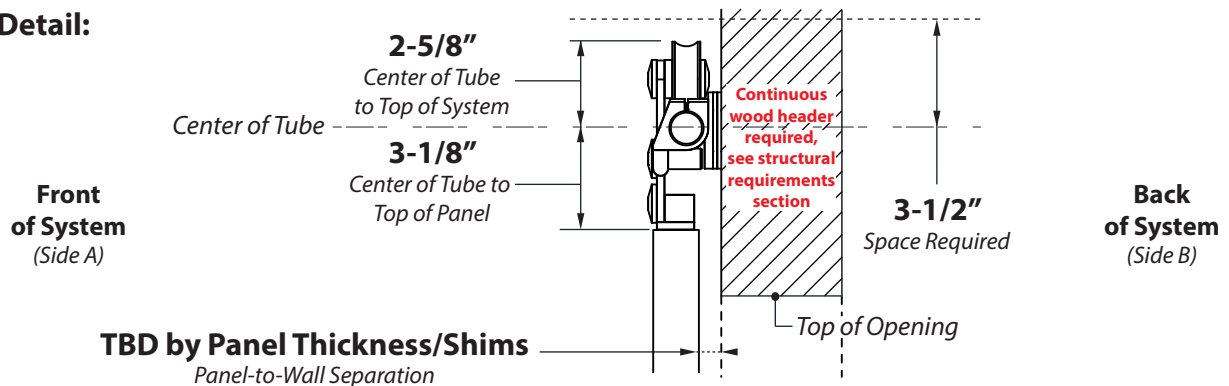
Wall Brackets: Used to secure the track to the wall/surface. The brackets must be secured to a continuous structural wood header (4x8 minimum) within the wall. (Metal studs require additional wood bracing.) Sheet metal screws are provided. Shims are included to accommodate unlevel wall surfaces.

Bottom Guide (for wood doors):

A channel of 3/8" wide by 3/4" deep is required under the panel to accommodate the bottom pin (secures to floor.)

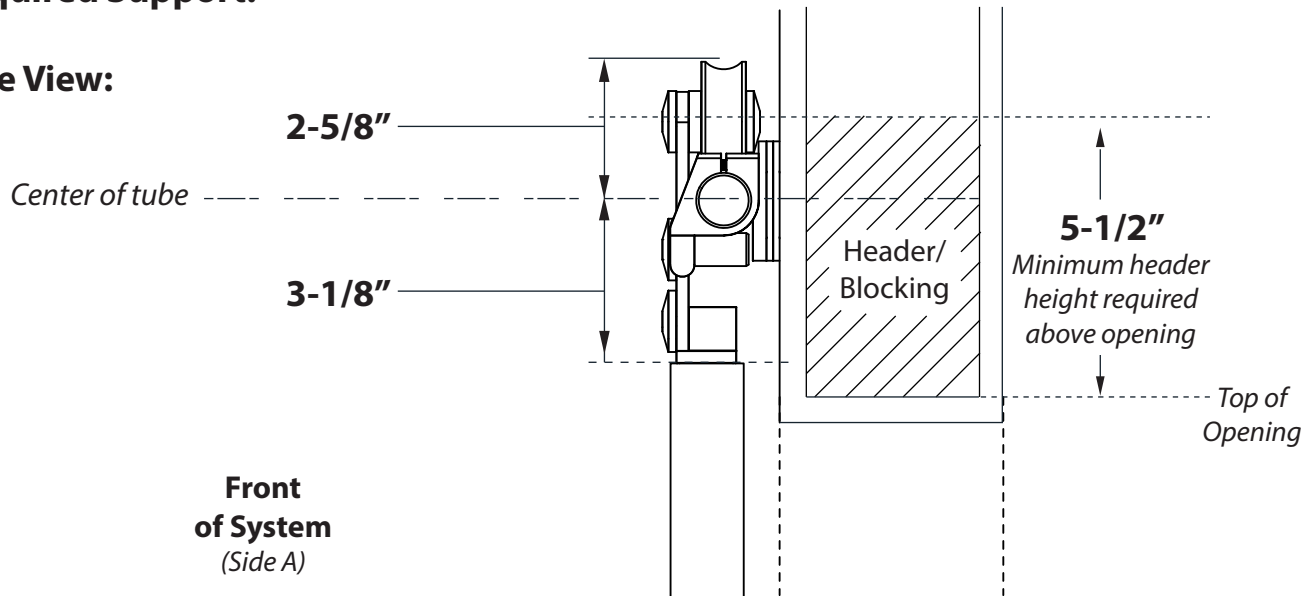


Mounting Detail:



Required Support:

Side View:



Isometric View:



Suspended Barn Door Hardware Kit includes:

- (3) Tube Mounting Brackets:** Minimum 3 brackets per kit - One bracket every 24". (Bracket - COM18-63TMB; Shim - COM60BDMBS)
 - (2) Door Stops:** Two door stops suggested per panel. (COM18-63BDS)
 - (2) Wheel Assemblies:** Two Wheel assemblies suggested per panel (COM19-63SWBDWA)
 - (1) Bottom Wheel Guide:** One bottom guide recommended per panel (COM14BWG)
 - (2) Tube End Caps:** Two per tube (COM18-63BDTEC)
-
- (1) Upper Tube (Upper Track):** Sold separately per inch. (PI59T)

When mounting a barn door, there must be structure in the walls to support a minimum of 300 lbs throughout the entire track length. **A continuous structural wood header (4x8 minimum) is required (see structural requirements section).**