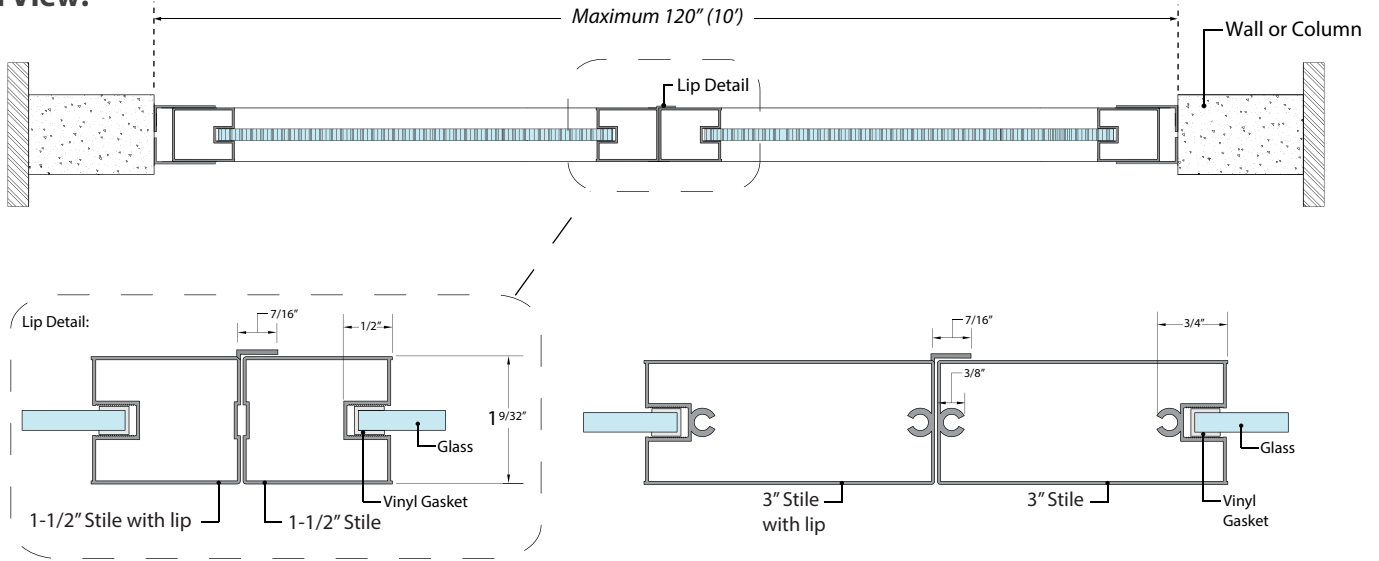
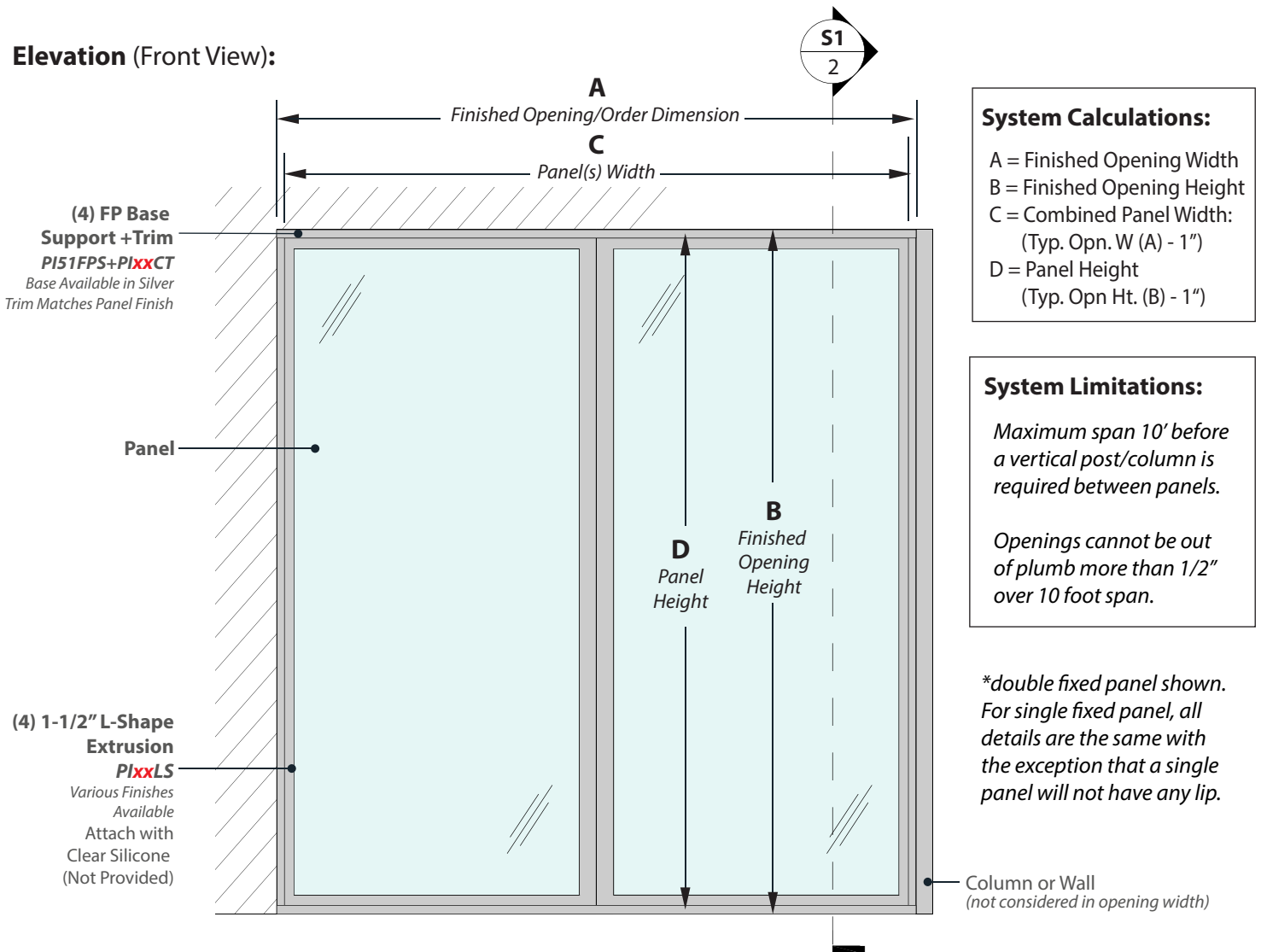


Plan View:

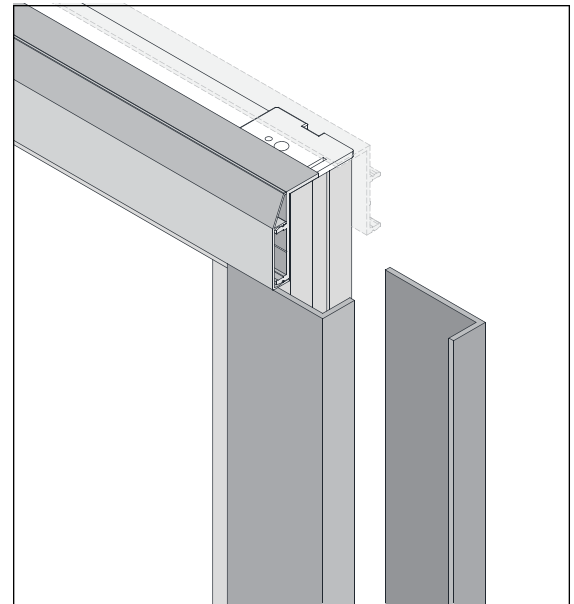
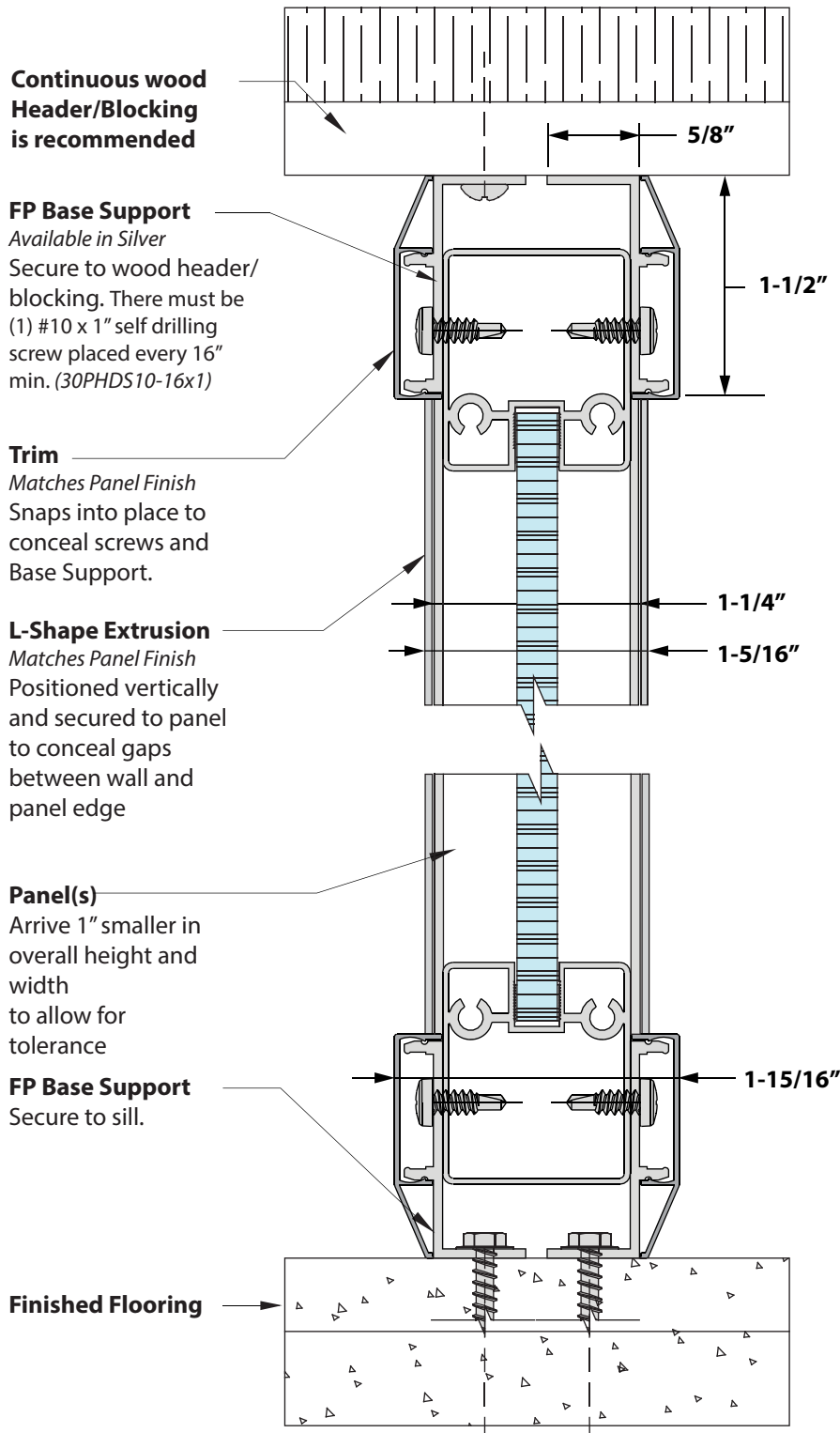


Elevation (Front View):



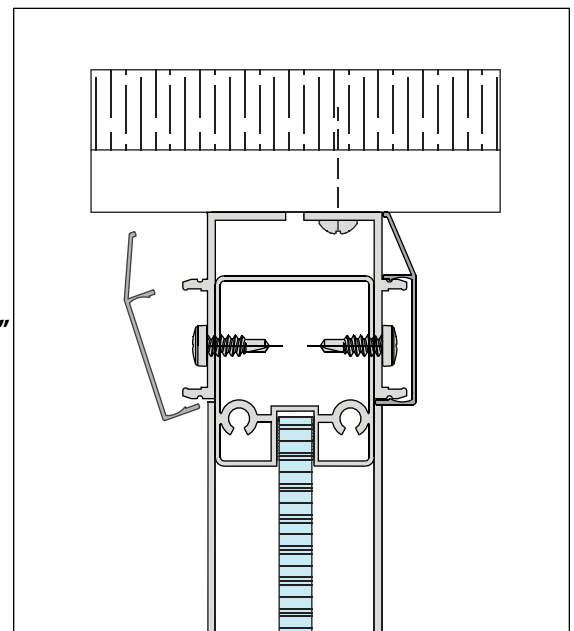
Section 1:

Detail:



Corner Assembly Exploded:

The Horizontal FP Base Support and Trim Pieces stretch the entire opening width, beyond the width of the panel. Vertical L-Shape Extrusions are cut to fit between the Base/Trim Pieces.



Section Detail:

Base supports are attached to both the existing surface and the panel. Trim pieces are snapped into place to conceal screws.