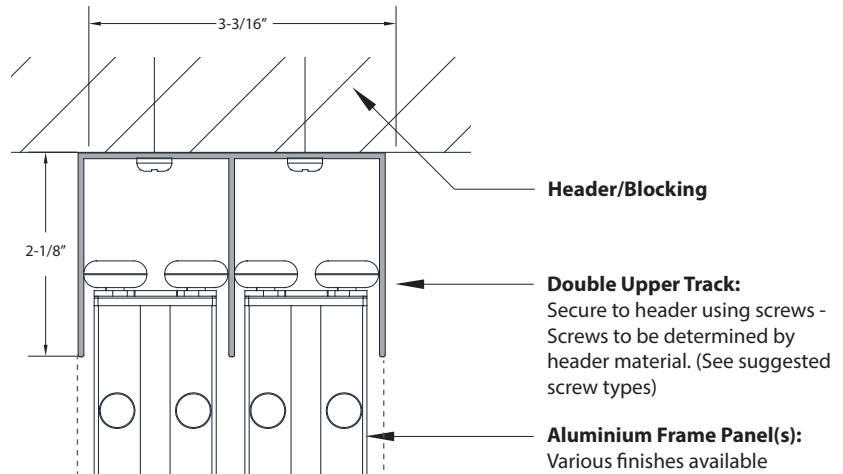


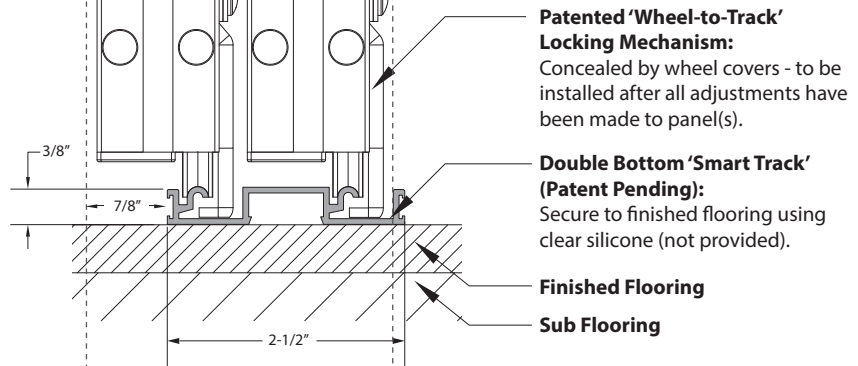
Header Detail at half scale
Double Upper Track



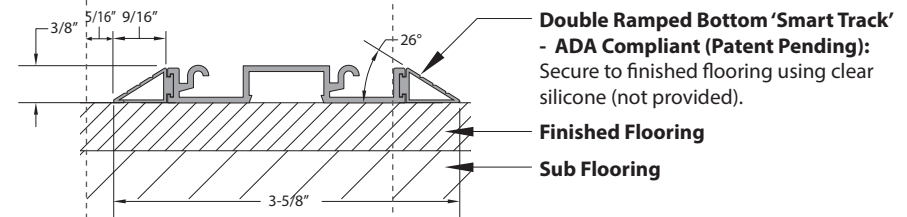
FRONT (Side A)

BACK (Side B)

Sill Detail Opt. 1 at half scale
"Standard" Double Bottom Track



Sill Detail Opt. 2 at half scale
"Ramped" Double Bottom Track



Sill Detail Opt. 3 at half scale
"Recessed" Bottom Double Bottom Track

