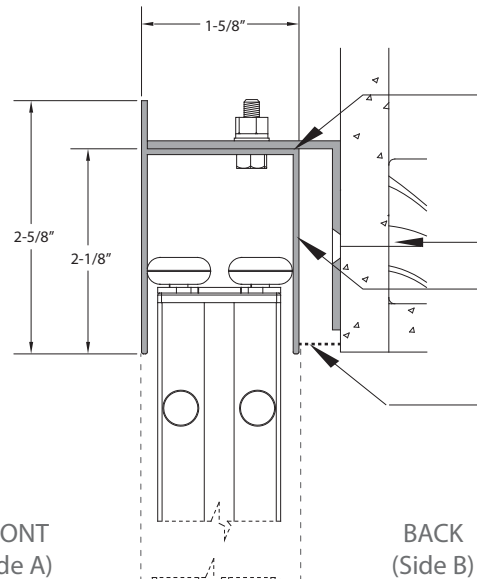


Header Detail
at half scale
Single H-Track



Upper Track Mounting Bracket:

Secure to header using screws - Screw types are determined by header material (See suggested screw types - not provided)

Header/Blocking

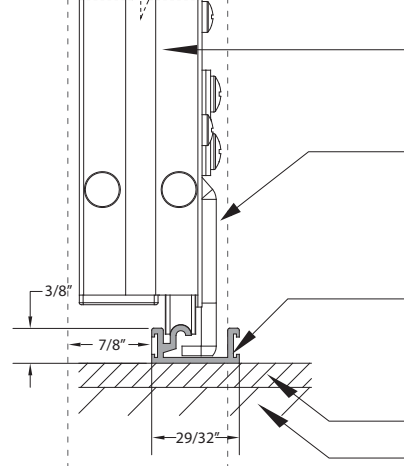
Single H-Track:

Secure to top mounting bracket using screws and bolts provided

Wall-to-Track Separation:

7/16" minimum separation from wall to back of top track - With a 1" maximum allowable separation

Sill Detail Opt. 1
at half scale
Single "Standard"
Bottom Track



Aluminium Frame Panel(s):

Various finishes available

Patented 'Wheel-to-Track' Locking Mechanism:

Concealed by wheel covers - to be installed after all adjustments have been made to panel(s).

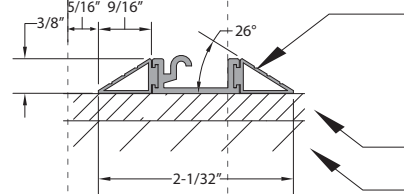
Single 'Smart Track' (Patent Pending):

Secure to finished flooring using clear silicone (not provided).

Finished Flooring

Sub Flooring

Sill Detail Opt. 2
at half scale
Single "Ramped"
Bottom Track



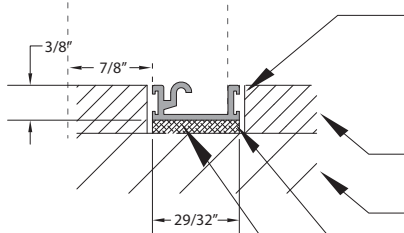
Single Ramped Bottom 'Smart Track' - ADA Compliant (Patent Pending):

Secure to finished flooring using clear silicone (not provided).

Finished Flooring

Sub Flooring

Sill Detail Opt. 3
at half scale
Single "Recessed"
Bottom Track



Single Recessed Bottom 'Smart Track' - ADA Compliant (Patent Pending):

Secure to shim using clear silicone (not provided).

Finished Flooring

Sub Flooring

Channel: recommended to be at least 1/8" wider than track to allow for tolerance.

Shim:

Shim height to be determined by finished floor height. Track CANNOT be recessed more than 3/8" into the flooring