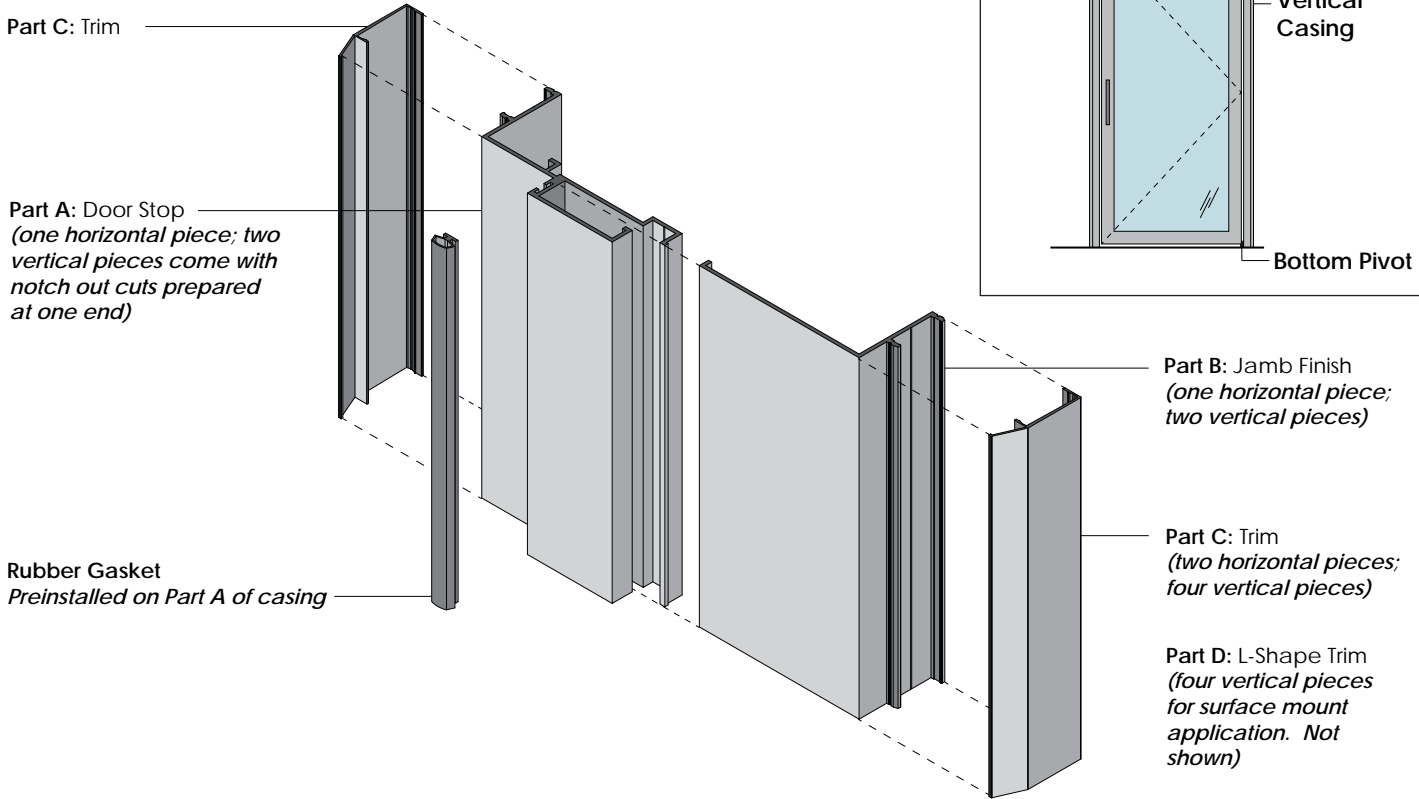
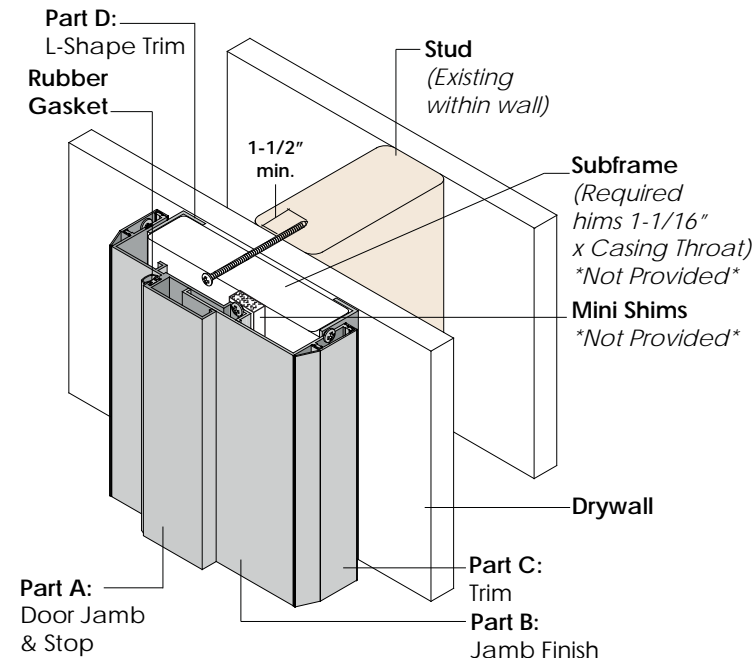


Isometric View:



Surface Mount Casing:

Surface mounts on a wall or opening. Requires the surface to be finished and subframe/shims are not provided (customer's responsibility).



Wrap Mount Casing:

Wraps around an existing opening. Opening can be a rough opening or finished opening, must be determined at time of order.

