

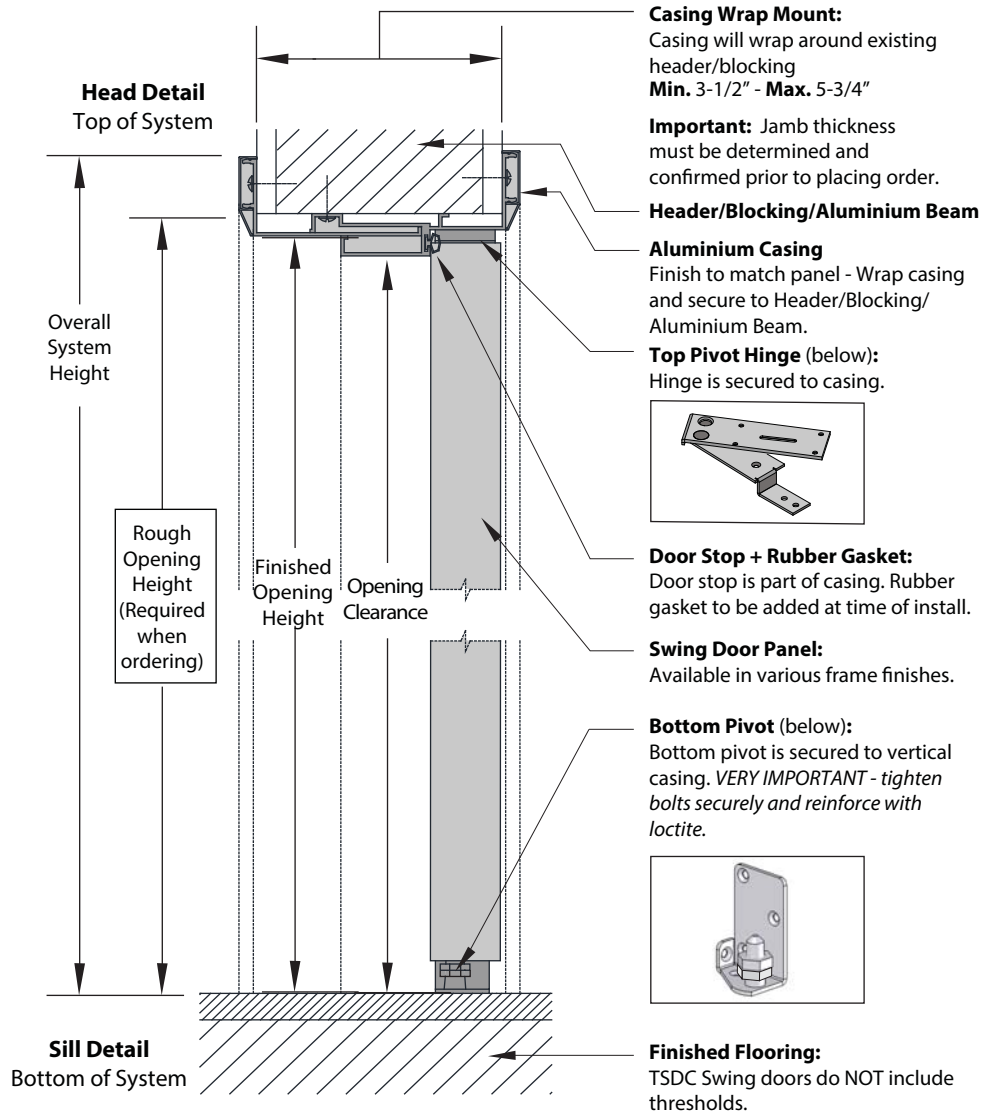
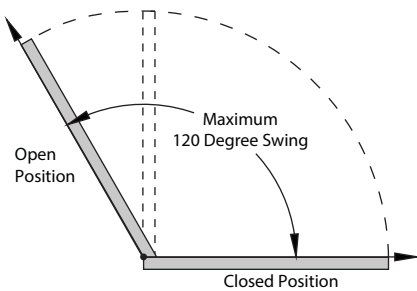
Single Panel - Swing Door with Wrap Mount to Existing Header/Blocking

**System Section:**

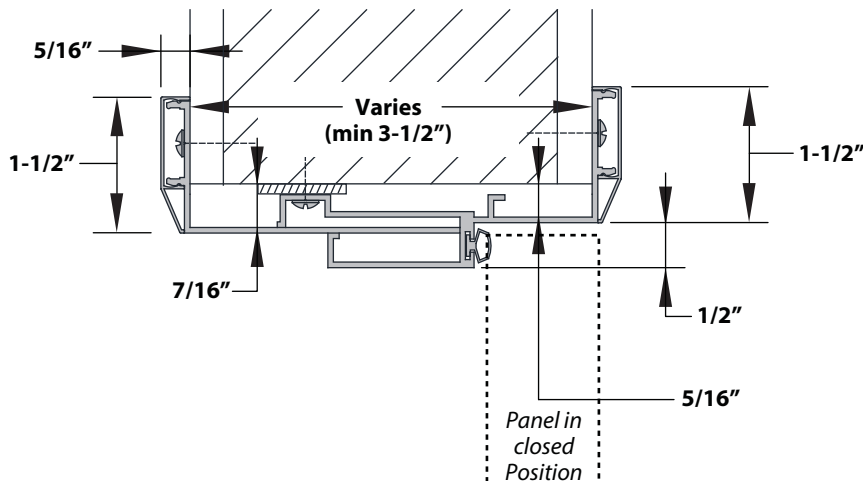
- 1) Overall System Height:  
ROH (Rough Opening Height) + 1-3/16"
- 2) FOH (Finished Opening Height):  
ROH - 5/16"
- 3) Actual Panel/Door Height:  
FOH - 7/8"
- 4) Actual Panel/Door Height:  
ROH - 1-3/16"
- 5) Opening Clearance:  
ROH - 1-13/16"

NOTE: Casing Wrap has 1/4" tolerance. It is not adjustable.

**Door Swing:**



**Detail:**



**3-1/2" Min. Throat/Jamb Depth**  
**\*5-3/4" Max. Throat/Jamb Depth**  
\*Casing Maximum varies between surface and wrap mount due to L-Shape Trim Pieces.

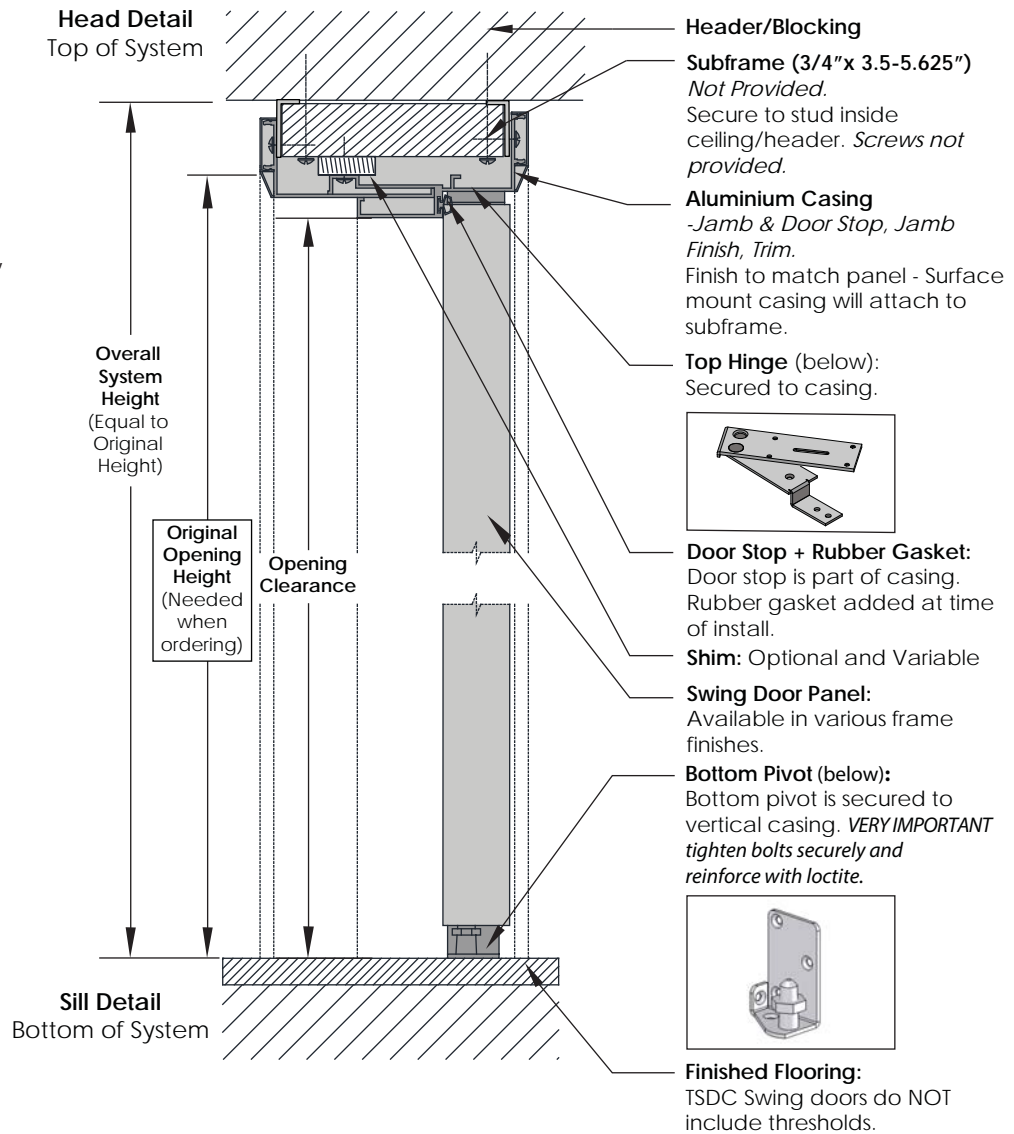
Single Panel - Swing Door with Surface Mount to Existing Ceiling

**System Section:**

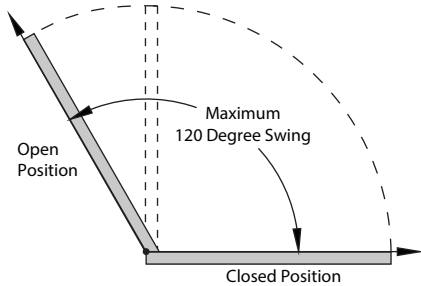
- 1) Finished Opening Height (FOH) (After casing installed): Original Opening Height - 1-13/16"
- 2) Actual Panel/Door height: FOH - 7/8"
- 3) Actual Panel/Door height: Original Opening Height - 2-5/8"
- 4) Opening Clearance: Original Opening Height - 2-5/16"

NOTE: Casing Wrap has 1/4" tolerance. It is not adjustable.

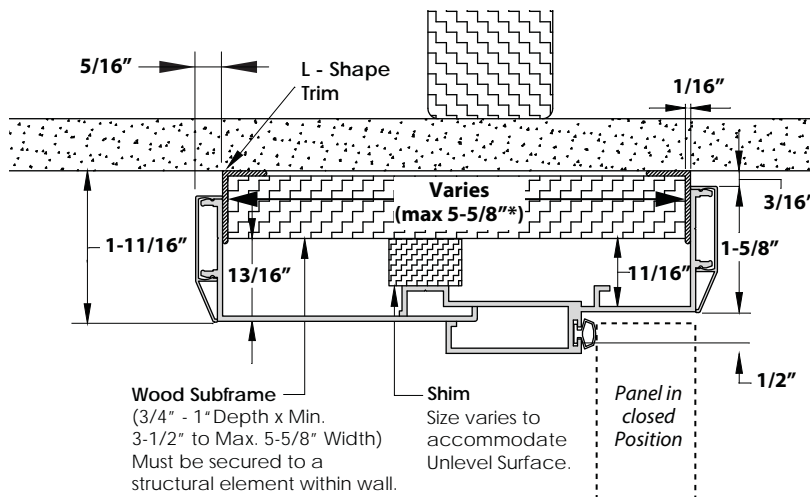
Head Detail  
Top of System



**Door Swing:**



**Detail:**



**3-1/2" Min. Throat/Jamb Depth**  
**\*5-5/8" Max. Subframe Depth**  
**5-3/4 Max. Throat /Jamb Order Depth**

*\*Casing Maximum varies between surface and wrap mount due to L-Shape Trim Pieces.*