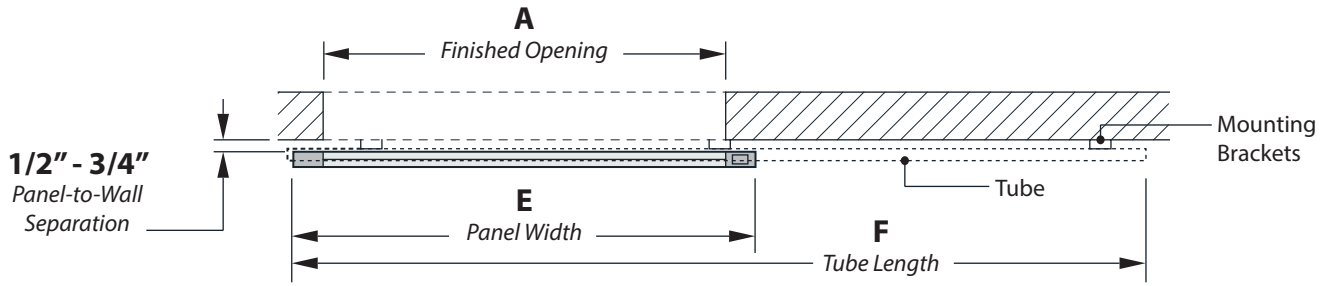
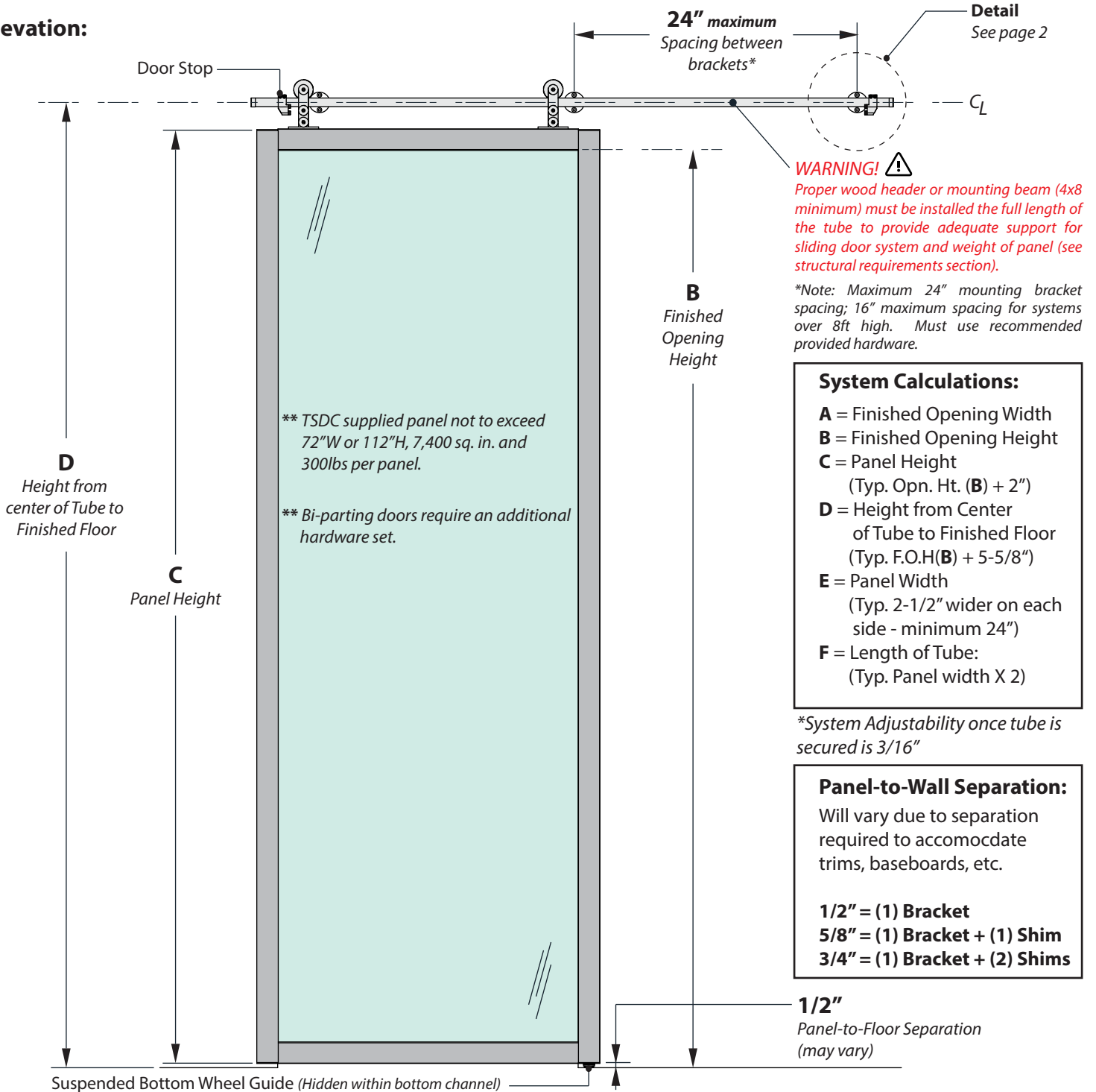


Plan:



Elevation:



System Calculations:

- A** = Finished Opening Width
- B** = Finished Opening Height
- C** = Panel Height
(Typ. Opn. Ht. (**B**) + 2")
- D** = Height from Center of Tube to Finished Floor
(Typ. F.O.H(**B**) + 5-5/8")
- E** = Panel Width
(Typ. 2-1/2" wider on each side - minimum 24")
- F** = Length of Tube:
(Typ. Panel width X 2)

*System Adjustability once tube is secured is 3/16"

Panel-to-Wall Separation:

Will vary due to separation required to accomodate trims, baseboards, etc.

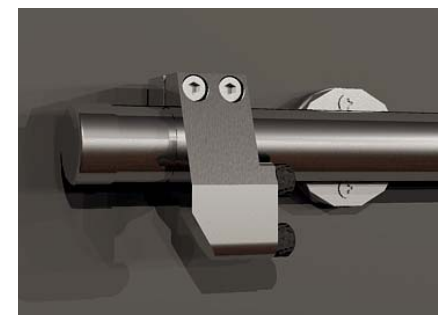
- 1/2"** = (1) Bracket
- 5/8"** = (1) Bracket + (1) Shim
- 3/4"** = (1) Bracket + (2) Shims

1/2"
Panel-to-Floor Separation (may vary)



Suspended Upper Wheel Assembly:

Secures to our aluminum framed panel, using a combination of shim plates and bolts (provided). Wheel assembly is not pre-installed on panel, but shim plates to receive wheel assembly are pre-installed on panel.

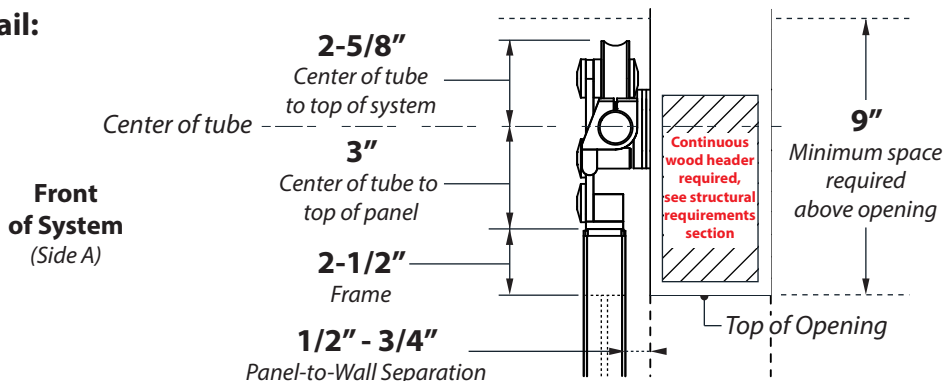


Door Stop + Mounting Brackets:

Door Stop: Used to stop the door at the ends of the tube (track). It secures to the tube (track) using the screws provided.

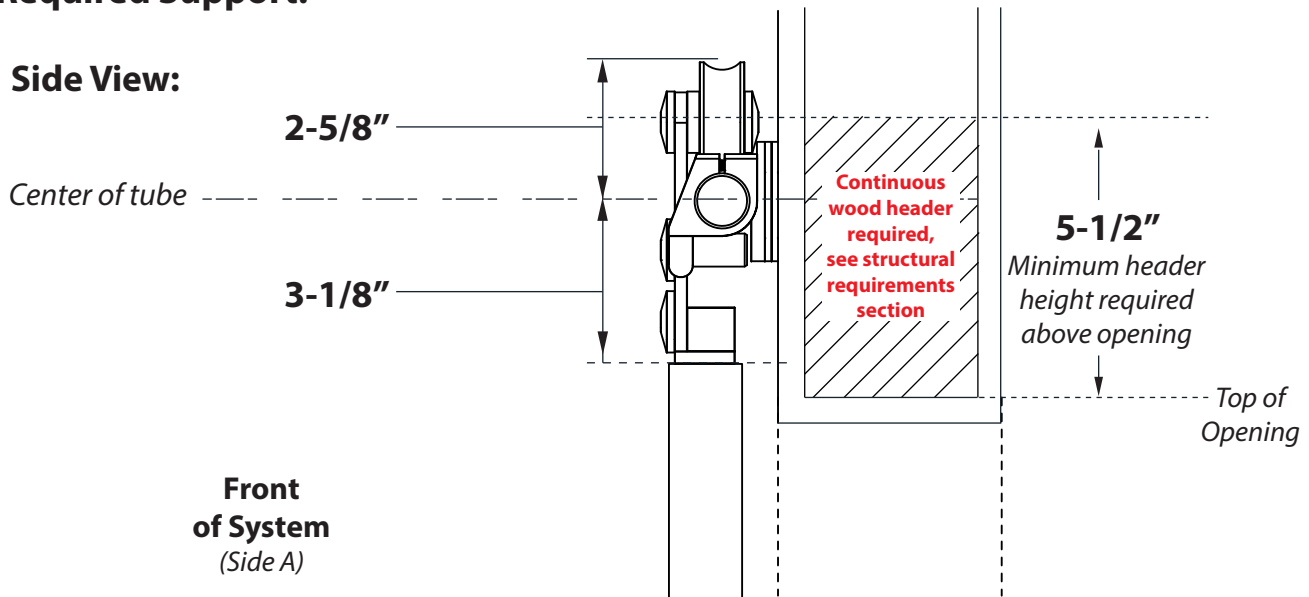
Mounting Brackets: Used to secure the track to the wall/surface. The brackets must be secured to a continuous structural wood header (4x8 minimum) within the wall. (Metal studs require additional bracing.) Screws are provided. Shims are included to accommodate unlevel wall surfaces.

Detail:



Required Support:

Side View:



Isometric View:



Suspended Barn Door Hardware Kit includes:

- (3) Tube Mounting Brackets:** *Minimum 3 brackets per kit - One bracket every 24". (Bracket - COM18-63TMB; Shim - COM60BDMBS)*
 - (2) Door Stops:** *Two door stops suggested per panel. (COM18-63BDS)*
 - (2) Wheel Assemblies:** *Two wheel assemblies suggested per panel (COM19-63SWBDWA)*
 - (1) Bottom Wheel Guide:** *One bottom guide recommended per panel (COM14BWG)*
 - (2) Tube End Caps:** *Two per tube (COM18-63BDTEC)*
- (1) Upper Tube (Upper Track):** *Sold separately per inch. (PI59T)*

When mounting a barn door, there must be structure in the walls to support a minimum of 300 lbs throughout the entire track length. A continuous structural wood header (4x8 minimum) is required (*see structural requirements section for more information*).