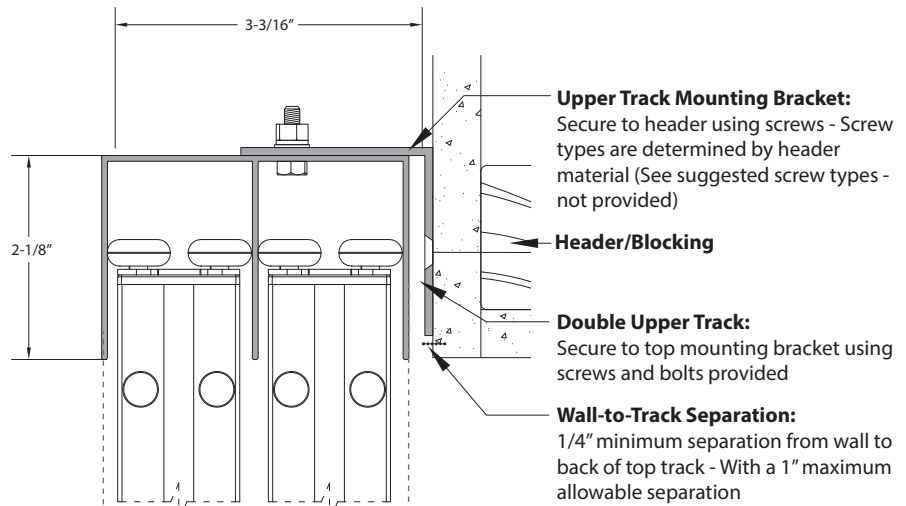


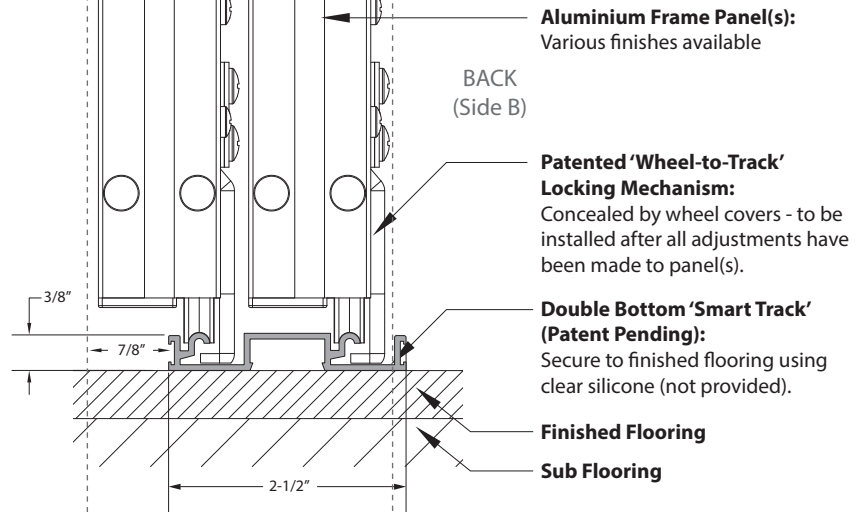
Header Detail at half scale
Double Upper Track



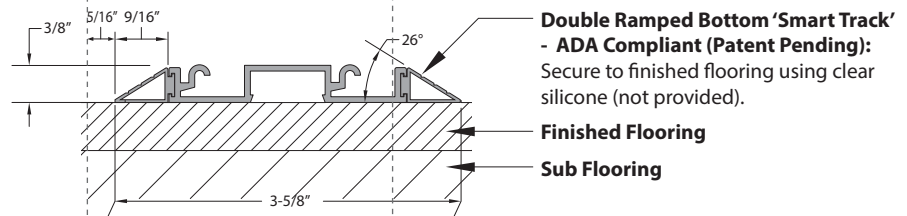
FRONT (Side A)

BACK (Side B)

Sill Detail Opt. 1 at half scale
Double Smart Track
"Standard" Bottom Track



Sill Detail Opt. 2 at half scale
Double Smart Track
"Ramped" Bottom Track



Sill Detail Opt. 3 at half scale
Double Smart Track
"Recessed" Bottom Track

