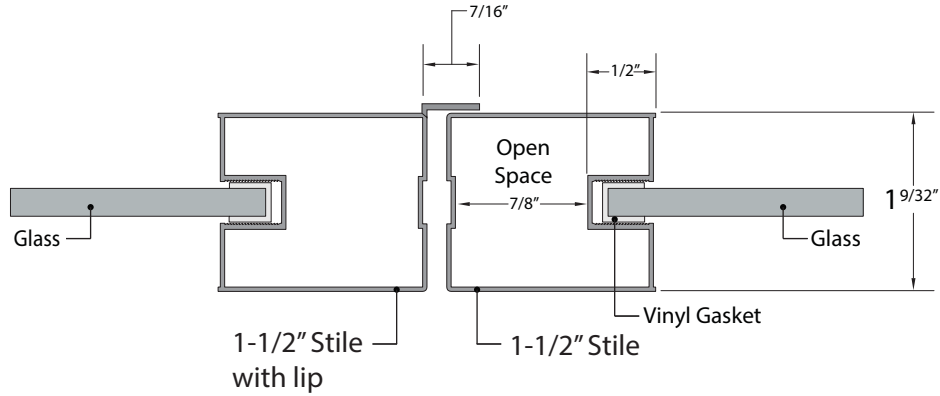


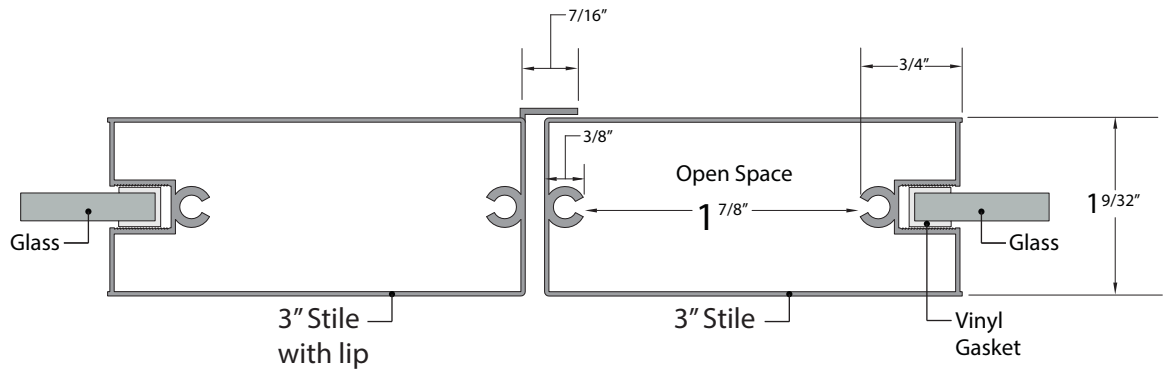
1-1/2" Stile:

Section Detail:



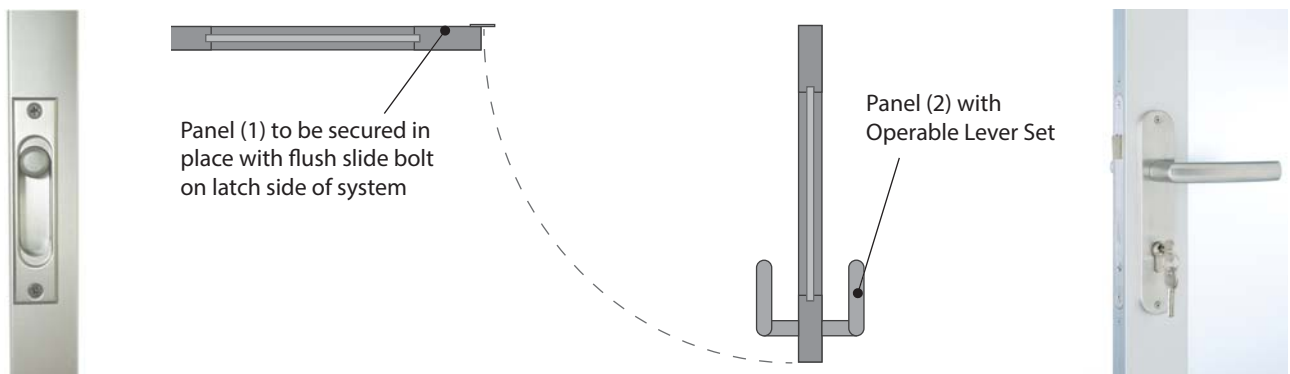
3" Stile:

Section Detail:



Locking Double Swing Doors

Section Detail:



IMPORTANT NOTES:

- 1-1/2" Stiles for Swing door systems cannot accommodate locks or some types of handles.
- Stiles with lip on double panel systems are typically placed on Panel 1, or on the opposite panel from the latch.