

Pocket to be built to TSDC specs and needs to remain in open construction for upper track installation

**(2) Door Parks**  
Available in Brown only.

**Valance 1 (Side A - Front)**  
Attached into place.  
Available in various colors.

**Suspended Door Panel**  
Rail/Stile size: 2-1/2"  
Available in various colors.

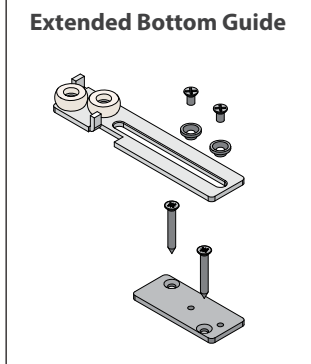
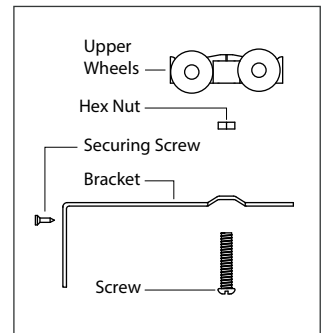
**Valance 2 (Side B - Back)**  
Adhered to track using aluminum shim (provided) and clear silicone (not provided).  
Available in various colors.

**1" x 1/8" Aluminum Shim**  
Provided.

**Suspended Single Track**  
Available in Silver and Bronze.

**1-1/2" Self Drilling Sheet Metal Screws**  
(provided with Door Park)

**(2) Upper Wheels**  
Available in Silver and Black.



**Extended Bottom Wheel Guide**  
Available in Silver.

**Shim Plate**  
Available in Silver.

**(1) Pull**  
Available in Brown or Brushed Silver.

**Important Note:**  
Pocket structure/cavity is not included/provided.  
**\* Continuous wood header is required, see structural requirements section.**